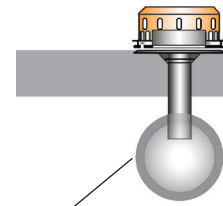


Specification sheet LX 1834 Roof drainage systems Series 84 DRAINLET[®]

Emergency drainage

Gravity flow

Silent Power

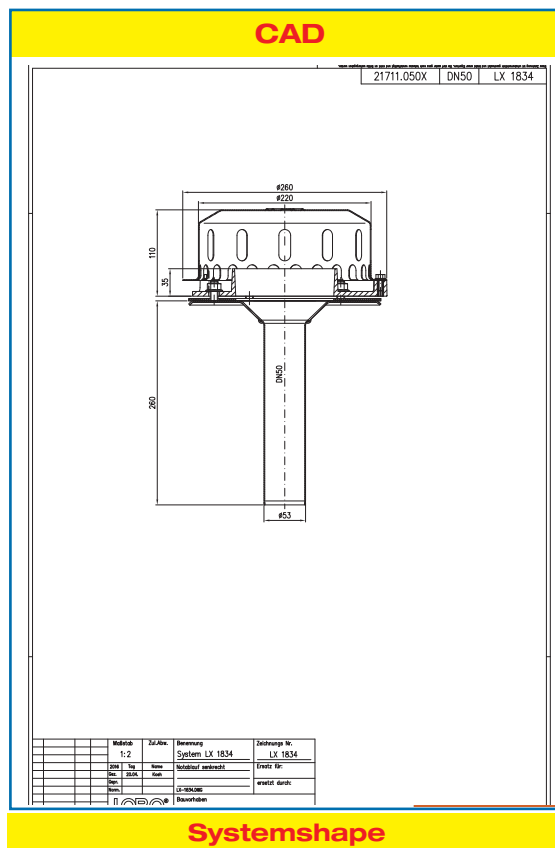
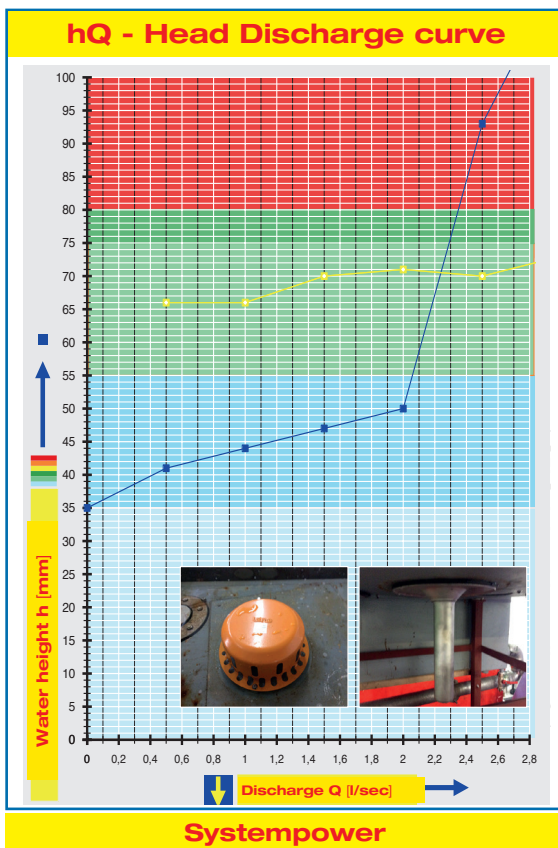


Horizontale Sammelleitung mit Gefälle

Discharge rate:	2,3 l/sec
Water height:	75 mm
Roof penetration:	-
Diameter:	DN 50
LX-Number:	LX 1834
Weir height:	35 mm
Drain:	ventilated
Downpipe:	ventilated
Downpipe height:	-
Drainage:	in sewer

LX 1834 Piece list

1 x Art.-No. choose drain on page two!



Water height	mm	25	30	35	40	45	50	55	60	65	70	75	80	85	90	95
Discharge	l/sec				0,4	1,2	2,0	2,05	2,1	2,2	2,25	2,3	2,35	2,4	2,45	2,55
Silent Power																

Choose drain for piece list on page one!

DN 50

without thermal insulation

LX1834-5X

**with clamping flange
one-piece**
for bituminous and plastic
roofing sheets



Drain
Art.-No. 21711.050X

LX1834-6X

**with clamping flange
two-piece**
for bituminous and plastic
roofing sheets



Drain
Art.-No. 21721.050X

with thermal insulation

LX1834-7X

**with clamping flange
one-piece**
for bituminous and plastic
roofing sheets



Drain
Art.-No. 21712.050X

LX1834-8X

**with clamping flange
two-piece**
for bituminous and plastic
roofing sheets



Drain
Art.-No. 21722.050X

with insulation and heating

LX1834-9X

**with clamping flange
one-piece**
for bituminous and plastic
roofing sheets



Drain
Art.-No. 21713.050X

LX1834-10X

**with clamping flange
two-piece**
for bituminous and plastic
roofing sheets



Drain
Art.-No. 21723.050X

Heat tracing: Lorowerk recommends to check all drains and pipes with regard to their frost-sensibility. Where necessary, these parts should be upgraded with heat tracing.